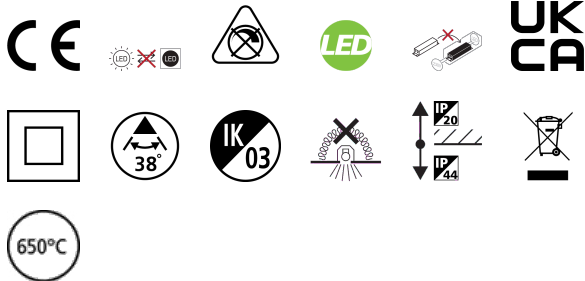


START Spot 550lm 3CCT IP44 WH

Item No: 0005564

SYLVANIA

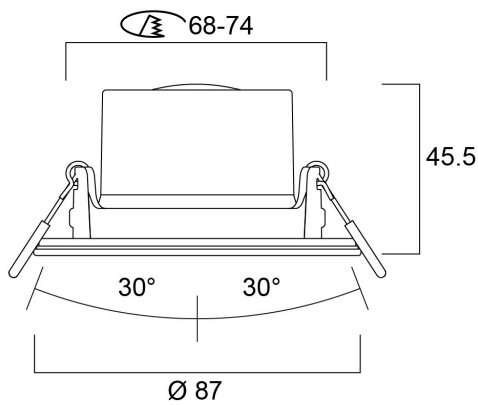
STARTTM



Integrated LED recessed spotlight, vertical tilt 30°, non dimmable, 3 CCT 2700K-3000K-4000K, 38° degree beam angle, polycarbonate white body, IP44 from the front, IK03, loop-in/loop-out terminals for fast wiring, 87mm bezel diameter, 68-74mm cutout, clear lens. Additional silver or black bezel can be ordered as accessory.

Technical Assets

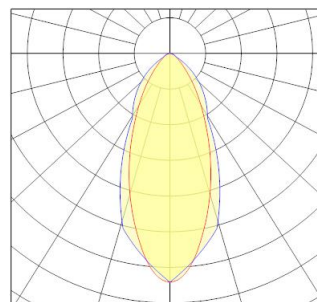
Dimensions (mm)



Photometrics

Distance [m]	Cone diameter [m]	Beam diameter [m]	Beam diameter [ft]	Illuminance [lx]
0.5	0.46 0.36	0.071	24.7"	200
		0.050	16.4"	943
		0.030	11.8"	1000
1.0	0.92 0.72	0.071	24.7"	607
		0.050	16.4"	238
		0.030	11.8"	261
1.5	1.38 1.08	0.071	24.7"	273
		0.050	16.4"	105
		0.030	11.8"	117
2.0	1.84 1.44	0.071	24.7"	151
		0.050	16.4"	58
		0.030	11.8"	64
2.5	2.30 1.80	0.071	24.7"	100
		0.050	16.4"	38
		0.030	11.8"	42
3.0	2.76 2.16	0.071	24.7"	60
		0.050	16.4"	23
		0.030	11.8"	25

Distance [m] Cone diameter [m] Illuminance [lx]
 — C0 - C180 (Half beam angle: 39.5°)
 — C90 - C270 (Half beam angle: 49.4°)



cd/klm
 — C0 - C180 — C90 - C270

START Spot 550lm 3CCT IP44 WH

Item No: 0005564

SYLVANIA

General data

Product name	START Spot 550lm 3CCT IP44 WH
Technology	LED
Cap/Base	N/A
Housing	PC Polycarbonate
Mount	Ceiling recessed mounting
Built in presence detector	NONE
General application	Hospitality, Residential & Consumer, Retail
Operating temperature range (°C)	-10°C...+40°C
Performance ambient temperature Tq (°C)	25
Virtual assistant compatibility	N/A
ETIM Class	EC001744
Warranty	3 years

Optical data

Fixture luminous flux (lm)	500
Luminaire efficacy (lm/W)	104
Light colour	Neutral White
CRI (Ra)	80
Colour Variation Initial (SDCM)	SDCM6
Beam Angle (°)	38
Distribution type	Symmetric
Photobiological Risk Group	RG1

Electrical data

Emergency type	
Total power consumption (W)	4.8
Supply current (A)	0.021
Primary Supply/Product voltage - min (V)	220.0
Primary Supply/Product voltage - max (V)	240.0
Lamp power factor	0.5
THD (at 230 V, 50 Hz, full load, at 100% dimming level) ≤ xx.x %	155
Electrical protection	Class II
Control gear type	LED driver constant current
Dimmable	No
Dimming method	N/A
Drive current (mA)	15
Inrush Current (A)	11.8
Inrush Duration (µs)	220
Energy Efficiency Class (A->G) of contained light source	E
Nominal Frequency (Hz)	50/60Hz
LED Flickering Rate	Low (6% - 20%)
Max. products per 10A C Breaker	68
Max. products per 13A C Breaker	89
Max. products per 16A C Breaker	112
Max. products per 20A C Breaker	137
Max. products per 10A B Breaker	41
Max. products per 16A B Breaker	66
Connectable conductor cross section - Min (mm ²)	0.75
Connectable conductor cross section - Max (mm ²)	1.5

Lifetime data

Lifespan L70 B50	57000
Lifespan L80 B20	34000
Lifespan L80 B10	33000

START Spot 550lm 3CCT IP44 WH

Item No: 0005564

SYLVANIA

Physical data

Housing colour	RAL 9003 - Signal white
IP rating	IP44/20
IK rating	IK03
Diffuser finish	Other
Diffuser material	None
Reflector finish	Not Applicable
Nominal Product Height (mm)	45.5
Nominal Product Diameter (mm)	87
Weight (kg)	0.076

Packaging

Product EAN number	5410288055640
Packaging single length / height (cm)	9.0
Packaging single width (cm)	6.0
Packaging single depth (cm)	9.0
DUN14 (inner)	15410288055647
Units per inner package	6
Packaging inner length / height (cm)	28.7
Packaging inner width (cm)	7.6
Packaging inner depth (cm)	19.0
DUN14 (outer)	25410288055644
Units per outer package	48
Packaging outer length / height (cm)	31.6
Packaging outer width (cm)	30.5
Packaging outer depth (cm)	41.2

Safety data

Glow Wire Test (°C)	650
Optimal operating condition (°C)	-10-40