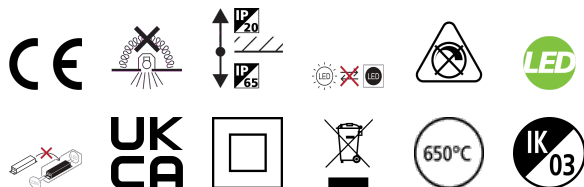


START Spot 610lm 3CCT IP65 WH

Item No: 0005565

SYLVANIA

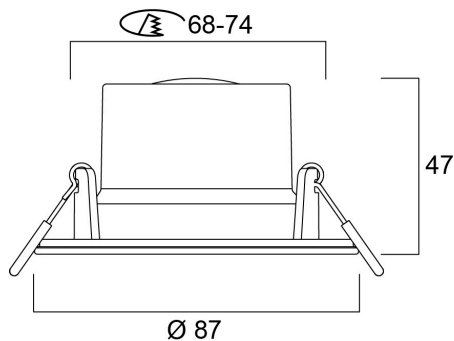
STARTTM



Integrated LED recessed spotlight, fixed, non dimmable, 3 CCT 2700K-3000K-4000K, 100° degree beam angle, polycarbonate white body, low profile 47mm recessed depth, IP65 from the front, IK03, loop-in/loop-out terminals for fast wiring, 87mm bezel diameter, 68-74mm cutout, frosted lens. Additional silver or black bezel can be ordered as accessory.

Technical Assets

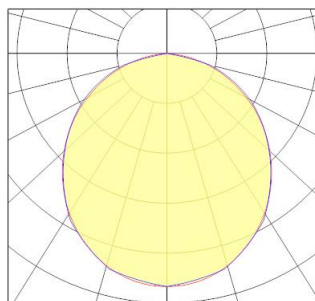
Dimensions (mm)



Photometrics

Distance [m]	Cone diameter [m]	Beam diameter [m]	Beam diameter [in]	Illuminance [lx]
0.5	1.38	0.71	28.1"	395
	1.37	0.70	27.8"	388
1.0	2.76	1.41	56.1"	214
	2.74	1.40	55.8"	212
1.5	4.14	2.12	84.1"	95
	4.11	2.10	83.8"	93
2.0	5.53	2.82	112.1"	55
	5.49	2.80	111.8"	54
2.5	6.91	3.53	140.1"	38
	6.86	3.50	139.8"	37
3.0	8.29	4.23	168.1"	28
	8.23	4.20	167.8"	27

Distance [m] Cone diameter [m] Illuminance [lx]
 — C0 - C180 (Half beam angle: 107.3°)
 — C90 - C270 (Half beam angle: 108.2°)



cd/kim
 — C0 - C180 — C90 - C270

START Spot 610lm 3CCT IP65 WH

Item No: 0005565

SYLVANIA

General data

Product name	START Spot 610lm 3CCT IP65 WH
Technology	LED
Cap/Base	N/A
Housing	PC Polycarbonate
Mount	Ceiling recessed mounting
Built in presence detector	NONE
General application	Hospitality, Residential & Consumer, Retail
Operating temperature range (°C)	-10°C...+40°C
Performance ambient temperature Tq (°C)	25
Virtual assistant compatibility	N/A
ETIM Class	EC001744
Warranty	3 years

Optical data

Fixture luminous flux (lm)	610
Luminaire efficacy (lm/W)	104
Light colour	Neutral White
CRI (Ra)	80
Colour Variation Initial (SDCM)	SDCM6
Beam Angle (°)	100
Distribution type	Symmetric
Photobiological Risk Group	RG0

Electrical data

Emergency type	
Total power consumption (W)	6
Supply current (A)	0.026
Primary Supply/Product voltage - min (V)	220.0
Primary Supply/Product voltage - max (V)	240.0
Lamp power factor	0.65
THD (at 230 V, 50 Hz, full load, at 100% dimming level) ≤ xx.x %	100
Electrical protection	Class II
Control gear type	LED driver constant current
Dimmable	No
Dimming method	N/A
Drive current (mA)	20
Inrush Current (A)	2
Inrush Duration (µs)	100
Energy Efficiency Class (A->G) of contained light source	E
Nominal Frequency (Hz)	50/60Hz
LED Flickering Rate	Low (6% - 20%)
Max. products per 10A C Breaker	256
Max. products per 13A C Breaker	332
Max. products per 16A C Breaker	418
Max. products per 20A C Breaker	511
Max. products per 10A B Breaker	155
Max. products per 16A B Breaker	246
Connectable conductor cross section - Min (mm ²)	0.75
Connectable conductor cross section - Max (mm ²)	1.5

Lifetime data

Lifespan L70 B50	68000
Lifespan L80 B20	39000
Lifespan L80 B10	36000

START Spot 610lm 3CCT IP65 WH

Item No: 0005565



Physical data

Housing colour	RAL 9003 - Signal white
IP rating	IP65/20
IK rating	IK03
Diffuser finish	Diffuse
Diffuser material	PC Polycarbonate
Reflector finish	Not Applicable
Nominal Product Height (mm)	47
Nominal Product Diameter (mm)	87
Weight (kg)	0.07

Packaging

Product EAN number	5410288055657
Packaging single length / height (cm)	9.0
Packaging single width (cm)	6.0
Packaging single depth (cm)	9.0
DUN14 (inner)	15410288055654
Units per inner package	6
Packaging inner length / height (cm)	28.5
Packaging inner width (cm)	7.5
Packaging inner depth (cm)	19.0
DUN14 (outer)	25410288055651
Units per outer package	48
Packaging outer length / height (cm)	32.0
Packaging outer width (cm)	30.0
Packaging outer depth (cm)	40.5

Safety data

Glow Wire Test (°C)	650
Optimal operating condition (°C)	-10-40